

CHVCTT000000

scarico traslato/wc adjustable flush system

codice  
code



Vaso Charme a terra scarico traslato.  
Charme floor trap wc with adjustable flush system.

bianco lucido/shiny white

CHVCTT000000BI

CM 52x40xh42

plf italy pz.15 - plf export pcs. 20

kg 26

Tecnologie/technologies:



scarico traslato



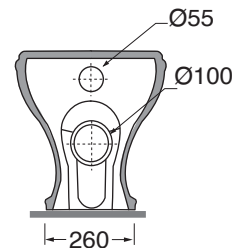
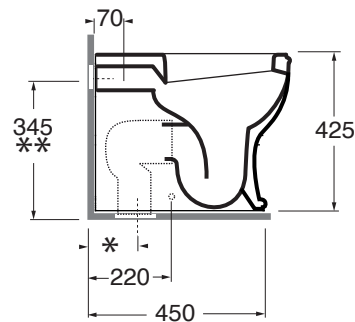
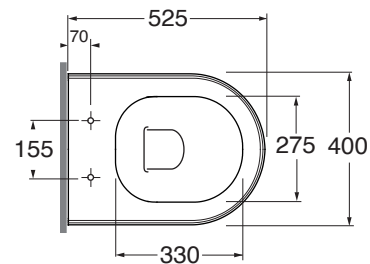
watersaving

\*\*

RDP
mm 360 o mm 330

\*

CVT	CVTK	CVTR
170 mm	da 60 mm a 130 mm	da 170 mm a 200 mm



scala/scale 1:20 dimensioni/dimensions in mm

Ceramica



Complementi/complements:

Codice  
code



Sedile termoidurente  
Wrapover thermosetting

bianco lucido/shiny white

CHA 1800



Sedile termoidurente con chiusura frizionata.  
Thermosetting soft close seat cover.

bianco lucido/shiny white

CHA 1800/F



Curva tecnica per vaso normale e monoblocco  
\* (solo per questa collezione 170 mm)  
Technical bend for standing and close coupled wc  
(\* 170 mm only for this collection)

CVT



Curva tecnica per wc TRASLATO con distanza parete  
\* (solo per questa collezione da 60 a 130 mm)  
Technical bend for adjustable flush system wc with wall  
distance ranging from 60 mm to 130 mm  
(\* only for this collection)

CVTK



Curva tecnica per wc TRASLATO con distanza parete  
\* (solo per questa collezione da 170 a 200 mm)  
Technical bend for adjustable flush system wc  
with wall distance ranging from 160 mm to 200 mm  
(\* only for this collection)

CVTR



Raccordo eccentrico per entrata acqua  
\* (solo per questa collezione H360 o H330mm)  
Eccentric joint for mm H360 or H330mm  
waterinlet (\* only for this collection)

RDP

TECHNICAL SHEET n°: <b>01</b>	DESIGNER: <b>LAUDANI &amp; ROMANELLI</b>	CODE: <b>CHVCTT000000BI</b>
SHEET FORMAT: <b>A4</b>	REVISION: <b>03</b>	DATE: <b>11/11/2022</b>
REGULATIONS: <b>CE EN 997/ EN33 / Dop-997 *</b>		
All the measurements respect the tolerances provided by the "AZZURRA QUALITY GUIDELINES".		

Azzurra sanitari in ceramica S.p.a.  
via Civita Castellana snc 01030  
Castel S.Elia (VT) - ITALY  
Tel.+39.0761 518155  
Fax.+39.0761 514560



\* Regulations here shown are exclusively referred to ceramic items