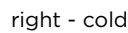
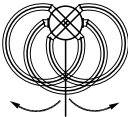
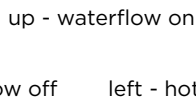
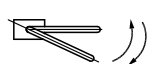
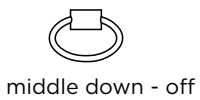
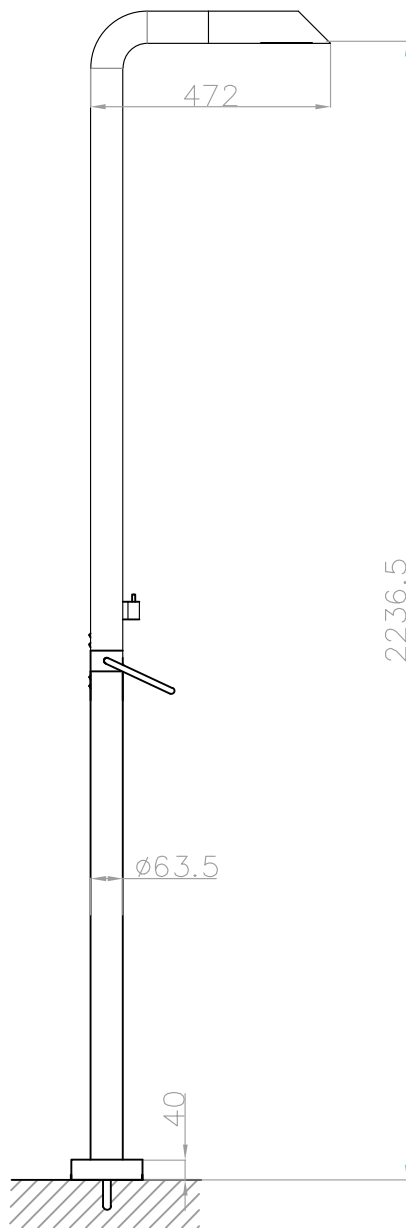
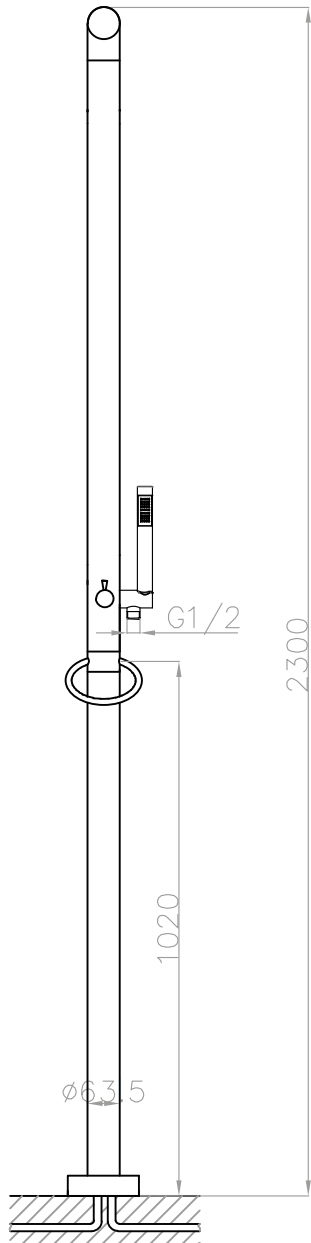




JEE-O pure shower 02



Article code:

300-6210

Material:

● Brushed

Stainless Steel r316

Cleaning instructions:

download JEE-O shower and taps manual on our website: www.jee-o.com

Cartridges:

Sedal/Kerox ceramic mixing mechanism (35mm), item code 005-0101 and JEE-O ceramic diverter mechanism, item code 005-0302

Flow at water of 38°C:

11L p/m at 3Bar pressure

Pressure:

Recommended working pressure 3Bar

Flexhose:

150 cm length

Connection:

2 x G 1/2" (ø15mm / 0.6") nylon^(out)/epdm⁽ⁱⁿ⁾ flexhose with brass swivel British Standard Pipe (BSP)

Thread:

Dimension package:

L 158 x W 18 W 54 x H 21 cm

Total weight:

13.1 kg

Package weight:

2.8 kg

Placing on a water-tight floor

7 year warranty - The general conditions can be found on our website: www.jee-o.com/downloads

HS code: 84818011900

Approvals:



JEE-O pure shower 02 specifications | September 2023

Models are subject to change and specs may contain typographical errors

Slight variations in the aesthetic appearance of the product, including the color, may occur after exposure to external influences such as sunlight, pollution or harmful chemicals