

NUOR00000000 orinatoio/urinal

codice
code



Orinatoio Nuvola senza fori.
Nuvola Urinal without holes for cover.

biancolucido/shiny white

NUOR00000000BI

Orinatoio Nuvola con fori copriorinatoio.
Nuvola Urinal with holes for cover.

biancolucido/shiny white

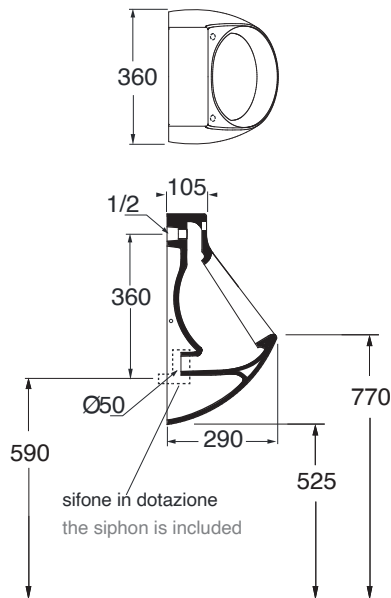
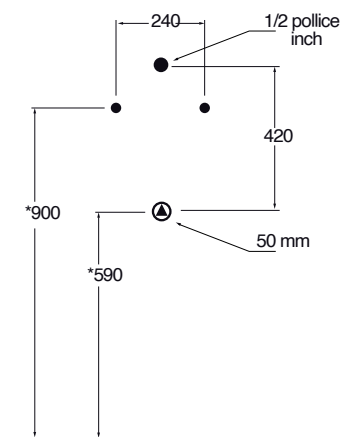
NUOR00000000MBI

CM 35,5x29xh 55

plt italy pz.12 - plt export pcs.20

kg 16

Pre-installazione



* NUOR00000000M
NUOR00000000

scala/scale 1:20 dimensioni/dimensions in mm

Ceramica



Complementi/complements:

Codice
code



Copriorinatoio
Cover urinal

bianco lucido/shiny white

NUV 1800/CR



Copriorinatoio chiusura frizionata
Soft close cover urinal

bianco lucido/shiny white

NUV 1800/ORF

Orinatoio non adatto a sistemi di risciacquo con cassetta.
Urinal not usable with flushing system with tank.

TECHNICAL SHEET n°: 01	DESIGNER: ANGELETTI RUZZA	CODE: NUOR00000000 / NUOR00000000M	Azzurra sanitari in ceramica S.p.a. via Civita Castellana snc 01030 Castel S.Elia (VT) - ITALY Tel. +39.0761 518155 Fax. +39.0761 514560		
SHEET FORMAT: A4	ISO	REVISION: 04	SCALE: 1:20	DATE: 15/11/2022	
REGULATIONS: CE EN 13407 / EN80 / Dop-13407 *					
All the measurements respect the tolerances provided by the "AZZURRA QUALITY GUIDELINES".					

* Regulations here shown are exclusively referred to ceramic items