

# SPECIFICATIONS

**DESCRIPTION**

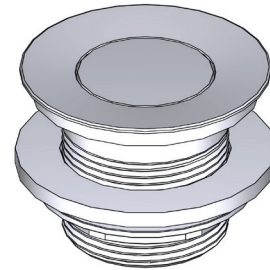
- Universal bath waste kit

**STANDARDS**

- WMTS 040 (2022)

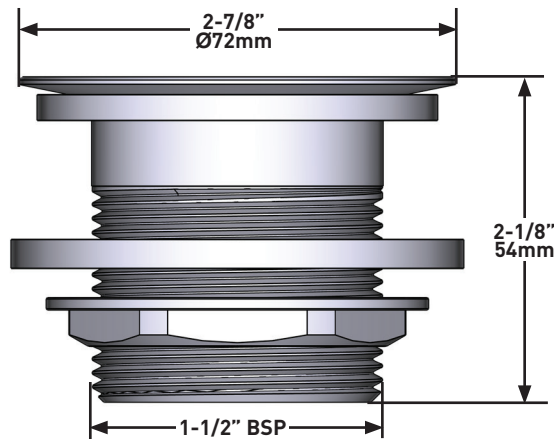
**WARRANTY**

- Visit [www.houseofrohl.uk](http://www.houseofrohl.uk) for more information



**Drain Kit**

**MODELS:** K-12 Series



For care and cleaning, product warranty, and additional information contact:

**US Customers**

U.S.A.  
[houseofrohl.com/support](http://houseofrohl.com/support)  
1-800-777-9762

**Canadian Customers**

QUEBEC / MARITIMES / WESTERN CANADA  
QUÉBEC / MARITIMES / OUEST CANADIEN  
QUEBEC / MARITIMOS / CANADA OCCIDENTAL  
[houseofrohl.ca/support](http://houseofrohl.ca/support)  
1-866-473-8442

ONTARIO  
[houseofrohl.ca/support](http://houseofrohl.ca/support)  
1-800-287-5354

**EMEA Customers**

UNITED KINGDOM  
[www.houseofrohl.uk](http://www.houseofrohl.uk)  
01952 221100

# SPÉCIFICATIONS

**DESCRIPTION**

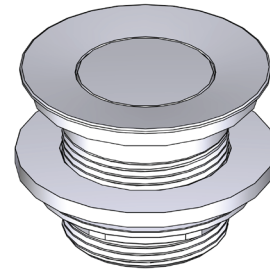
- Vidage universel pour baignoires sans trou de trop-plein

**CERTIFICATIONS**

- WMTS 040 (2022)

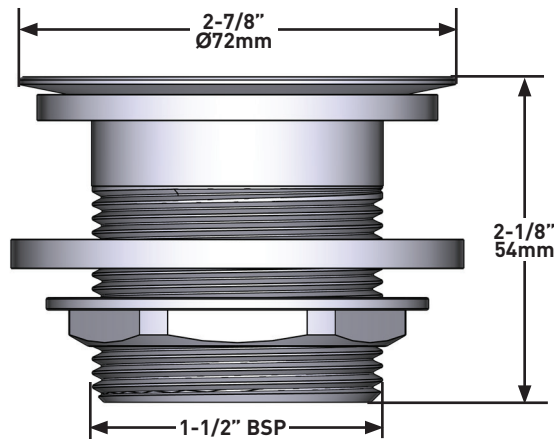
**GARANTIE**

- Pour davantage d'informations, rendez-vous sur [www.houseofrohl.uk](http://www.houseofrohl.uk)



**Kit de vidage**

**MODÈLES :** K-12



For care and cleaning, product warranty, and additional information contact:

**US Customers**

U.S.A.  
[houseofrohl.com/support](http://houseofrohl.com/support)  
1-800-777-9762

**Canadian Customers**

QUEBEC / MARITIMES / WESTERN CANADA  
QUÉBEC / MARITIMES / OUEST CANADIEN  
QUEBEC / MARITIMOS / CANADA OCCIDENTAL  
[houseofrohl.ca/support](http://houseofrohl.ca/support)  
1-866-473-8442

**EMEA Customers**

ONTARIO  
[houseofrohl.ca/support](http://houseofrohl.ca/support)  
1-800-287-5354

UNITED KINGDOM  
[www.houseofrohl.uk](http://www.houseofrohl.uk)  
01952 221100



# SPEZIFIKATIONEN

**BESCHREIBUNG**

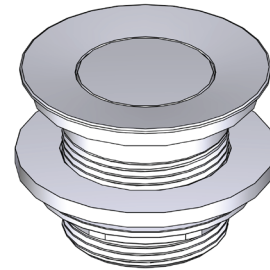
- Kit universale di scarico per vasche senza foro per troppopieno

**NORMEN**

- WMTS 040 (2022)

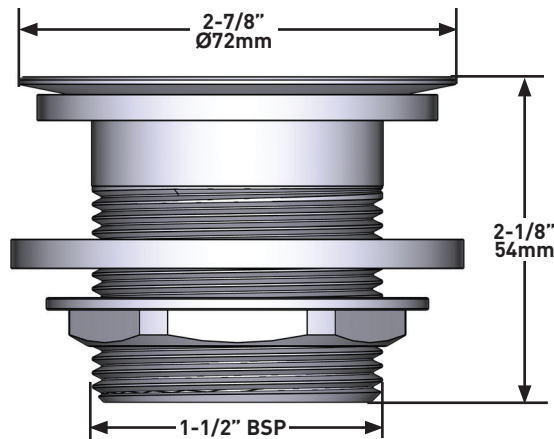
**GARANTIE**

- Weitere Informationen unter [www.houseofrohl.uk](http://www.houseofrohl.uk)



**Ablauf-Kit**

**MODELLE:** K-12



For care and cleaning, product warranty, and additional information contact:

**US Customers**

U.S.A.  
[houseofrohl.com/support](http://houseofrohl.com/support)  
1-800-777-9762

**Canadian Customers**

QUEBEC / MARITIMES / WESTERN CANADA  
QUÉBEC / MARITIMES / OUEST CANADIEN  
QUEBEC / MARITIMOS / CANADA OCCIDENTAL  
[houseofrohl.ca/support](http://houseofrohl.ca/support)  
1-866-473-8442

**EMEA Customers**

ONTARIO  
[houseofrohl.ca/support](http://houseofrohl.ca/support)  
1-800-287-5354

UNITED KINGDOM  
[www.houseofrohl.uk](http://www.houseofrohl.uk)  
01952 221100

# SPECIFICHE TECNICHE

**DESCRIZIONE**

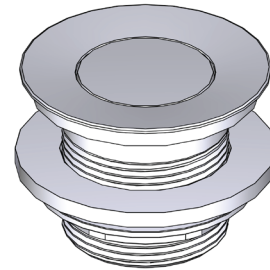
- Kit universale di scarico per vasche senza foro per troppopieno

**STANDARD**

- WMTS 040 (2022)

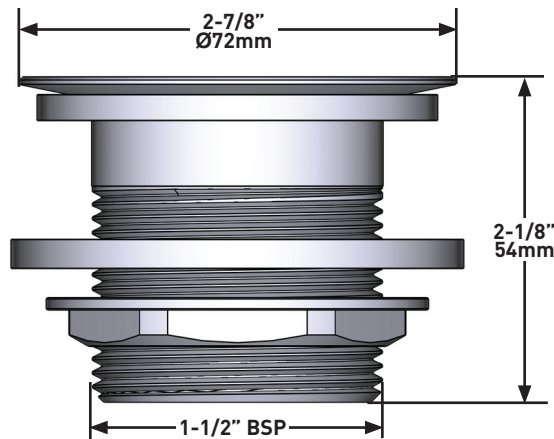
**GARANZIA**

- Per maggiori informazioni visita [www.houseofrohl.uk](http://www.houseofrohl.uk)



**Kit di scarico**

**MODELLI:** K-12



For care and cleaning, product warranty, and additional information contact:

**US Customers**

U.S.A.  
[houseofrohl.com/support](http://houseofrohl.com/support)  
 1-800-777-9762

**Canadian Customers**

QUEBEC / MARITIMES / WESTERN CANADA  
 QUÉBEC / MARITIMES / OUEST CANADIEN  
 QUEBEC / MARITIMOS / CANADA OCCIDENTAL  
[houseofrohl.ca/support](http://houseofrohl.ca/support)  
 1-866-473-8442

**EMEA Customers**

ONTARIO  
[houseofrohl.ca/support](http://houseofrohl.ca/support)  
 1-800-287-5354

UNITED KINGDOM  
[www.houseofrohl.uk](http://www.houseofrohl.uk)  
 01952 221100



# ESPECIFICACIONES

**DESCRIPCIÓN**

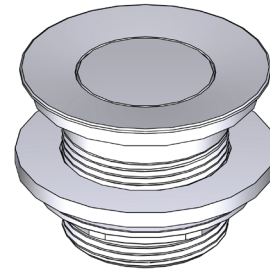
- Vaciador universal para bañeras sin agujero rebosadero

**ESTÁNDARES**

- WMTS 040 (2022)

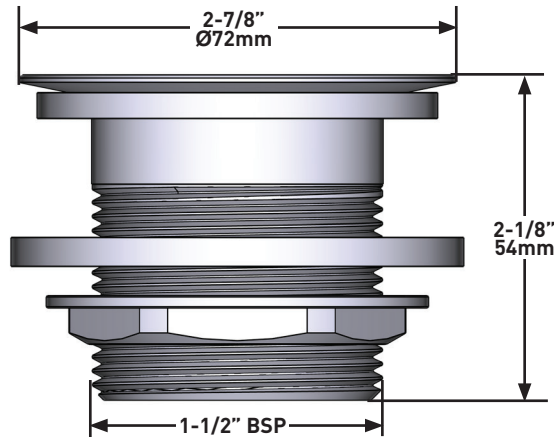
**GARANTÍA**

- Para más información, visite [www.houseofrohl.uk](http://www.houseofrohl.uk)



**Kit del desagüe**

**MODELOS:** K-12



For care and cleaning, product warranty, and additional information contact:

**US Customers**

U.S.A.  
[houseofrohl.com/support](http://houseofrohl.com/support)  
1-800-777-9762

**Canadian Customers**

QUEBEC / MARITIMES / WESTERN CANADA  
QUÉBEC / MARITIMES / OUEST CANADIEN  
QUEBEC / MARITIMOS / CANADA OCCIDENTAL  
[houseofrohl.ca/support](http://houseofrohl.ca/support)  
1-866-473-8442

**EMEA Customers**

ONTARIO  
[houseofrohl.ca/support](http://houseofrohl.ca/support)  
1-800-287-5354

UNITED KINGDOM  
[www.houseofrohl.uk](http://www.houseofrohl.uk)  
01952 221100

# SPECIFICATIES

**BESCHRIJVING**

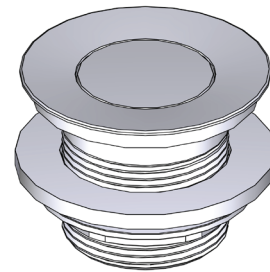
- Universele afvoer voor baden zonder overloop

**NORMEN**

- WMTS 040 (2022)

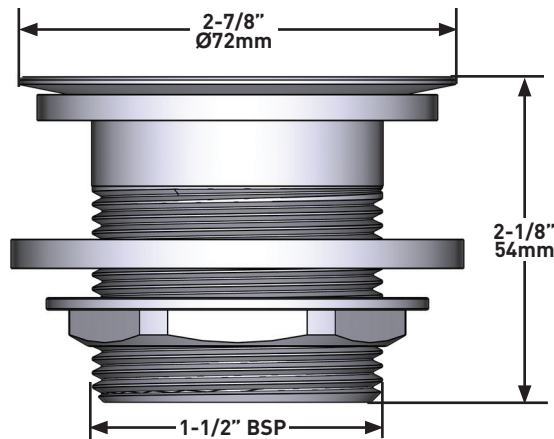
**GARANTIE**

- Voor meer informatie, bezoek [www.houseofrohl.uk](http://www.houseofrohl.uk)



**Afvoerkit**

**MODELLEN:** K-12



For care and cleaning, product warranty, and additional information contact:

**US Customers**

U.S.A.  
[houseofrohl.com/support](http://houseofrohl.com/support)  
 1-800-777-9762

**Canadian Customers**

QUEBEC / MARITIMES / WESTERN CANADA  
 QUÉBEC / MARITIMES / OUEST CANADIEN  
 QUEBEC / MARITIMOS / CANADA OCCIDENTAL  
[houseofrohl.ca/support](http://houseofrohl.ca/support)  
 1-866-473-8442

**EMEA Customers**

ONTARIO  
[houseofrohl.ca/support](http://houseofrohl.ca/support)  
 1-800-287-5354

UNITED KINGDOM  
[www.houseofrohl.uk](http://www.houseofrohl.uk)  
 01952 221100

